

PRESENTS

BATTLE OF THE BRIDGES

6TH ANNUAL UTAH SAMPE BRIDGE-BREAKING COMPETITION

WEDNESDAY

APRIL 12

2 - 5 PM

SALT LAKE COMMUNITY COLLEGE

MEADOWBROOK CAMPUS, BLDG A-124

250 W. 3900 S., SALT LAKE CITY

Come have fun, network, and enjoy some Pizza



THREE ENTRY CATEGORIES

"University" - Open Design

"Technology Programs" - Open Design

"High School Programs" - Open Design

3 CASH PRIZES IN EACH CATEGORY

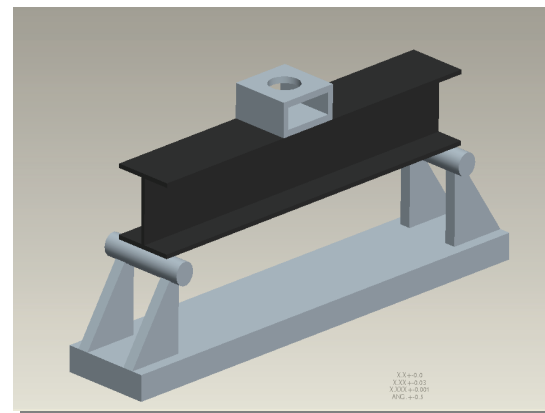
\$200

\$150

\$100

All contestants must have been a student of an Advanced Materials related program between April 2016 and April 2017

Email the Rules Committee for a copy of the 2017 SAMPE Rules document



CONTACTS

Andy George (byuandy@gmail.com)

Alan Done (alan.done@slcc.edu)

Rules Committee (bridge@utahsampe.org)

Salt Lake
Community College  STEP AHEAD.

UT  H